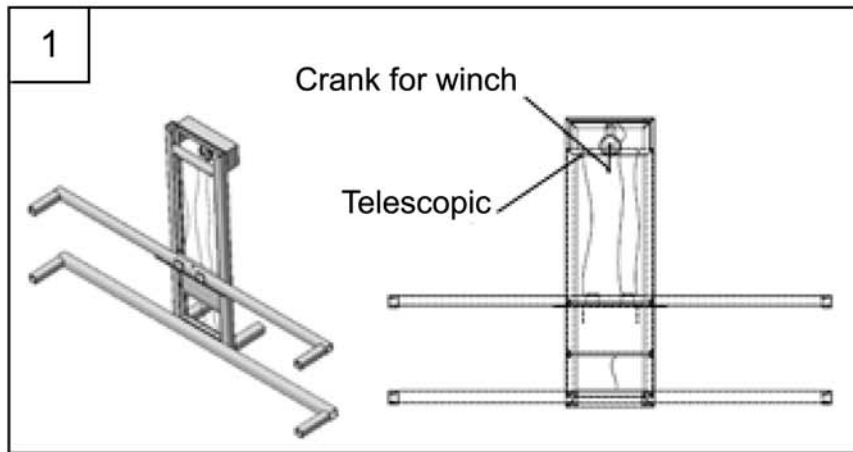
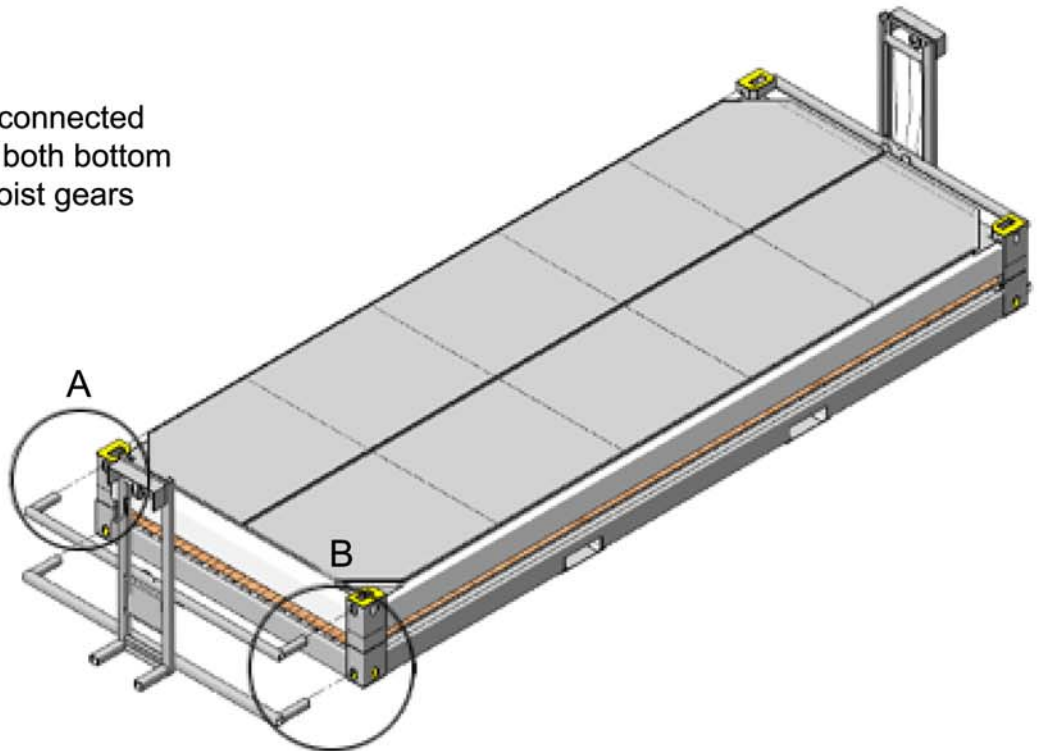


# LIFTING DEVICE

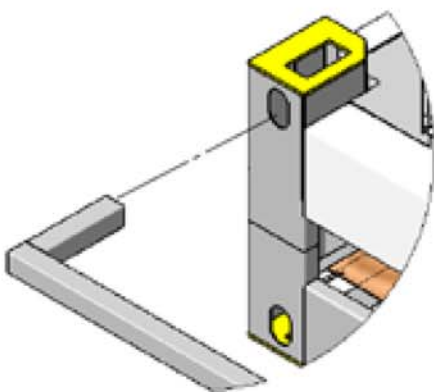


2

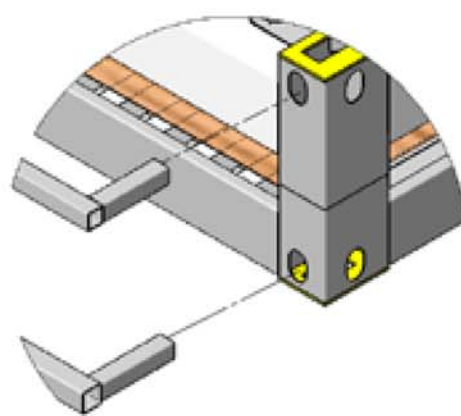
Arms of the lifting device are connected into the corner block holes of both bottom & roof, to allow the fixing of hoist gears and safe lifting



2A



2B

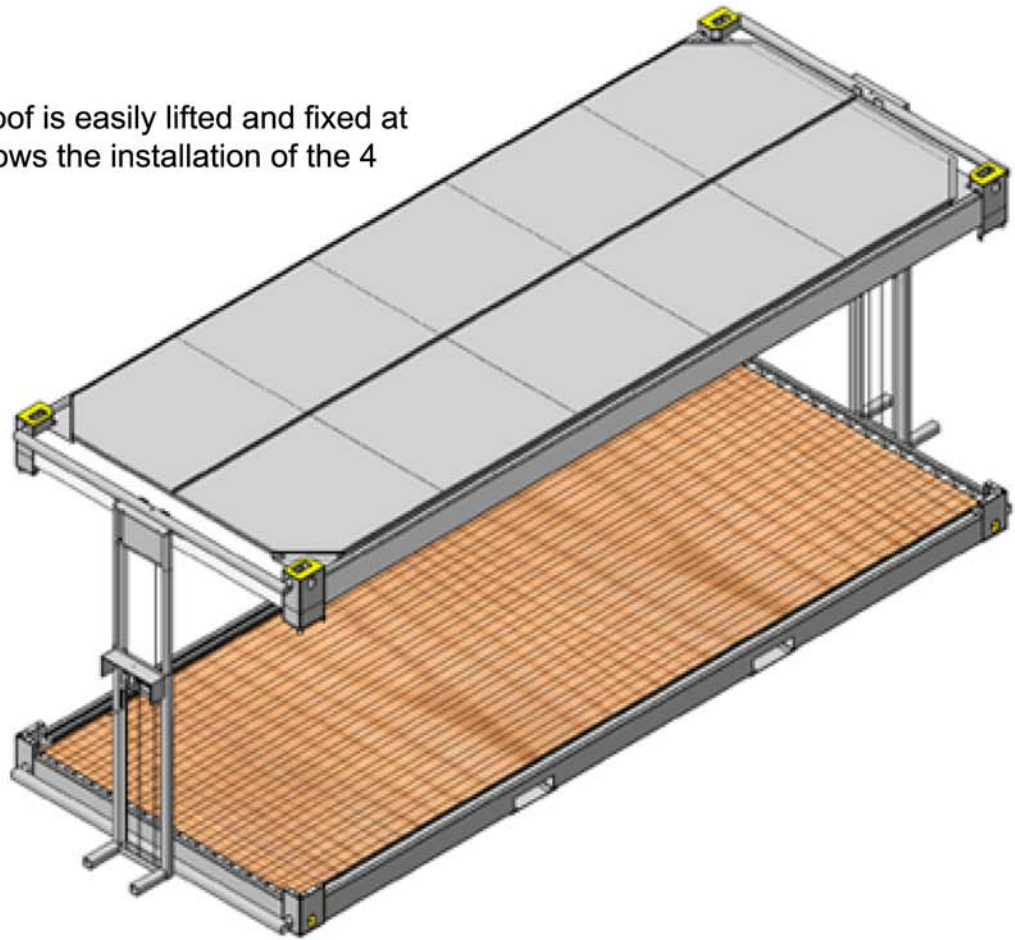


**G. FERON** Prefabs

13, Boulevard Ney F75018 Paris - Tel: +33 6 20 93 51 96 - E-mail : [rod.macleod@feron.fr](mailto:rod.macleod@feron.fr)

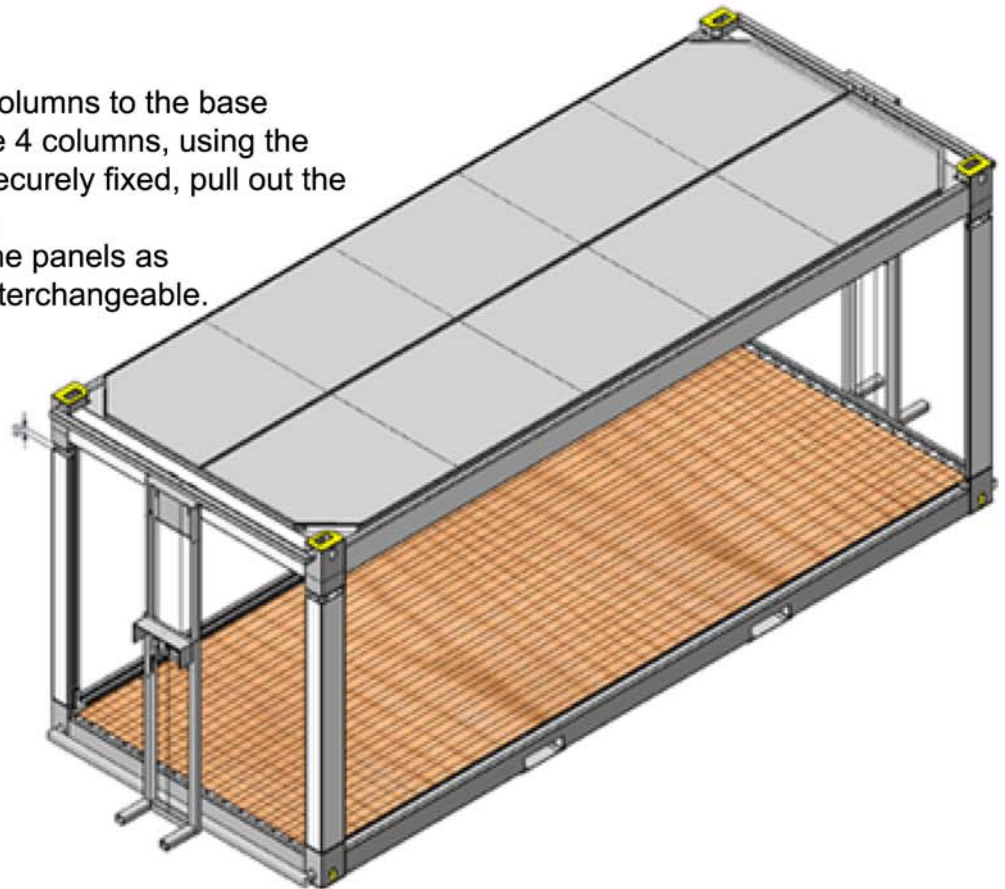
3

Using the crank, the roof is easily lifted and fixed at a specific height. It allows the installation of the 4 columns.



4

After having fixed the 4 columns to the base profile, lay the roof on the 4 columns, using the crank. Once the roof is securely fixed, pull out the arms of the lifting device. You may now safely fix the panels as you wish, as these are interchangeable.



**G. FERON** Prefabs

13, Boulevard Ney F75018 Paris - Tel: +33 6 20 93 51 96 - E-mail : [rod.macleod@feron.fr](mailto:rod.macleod@feron.fr)